

5x6 mm 8-Land DFN Packages



8-land DFN Large Flag



8-land DFN Small Flag

- Compliant with RoHS, REACH regulations and practices.
- Contains no Red Phosphorus.
- Lead Free.
- All products meet MSL-3 moisture sensitivity level.
- Assembly with a JEDEC standard reflow profile.
- Can be placed on a standard SOIC footprint in most designs. See Application Note [“Everspin’s New 2mm Exposed Pad DFN Package Meets Both SOIC-8 and DFN8 PCB Layouts”](#).



TABLE OF CONTENTS

COMPLIANCE WITH ENVIRONMENTAL REGULATIONS AND DIRECTIVES	2
MULTIPLE REFLOW CYCLES AND MOISTURE RESISTANCE	2
RECOMMENDED REFLOW TEMPERATURES AND TIMING - ALL PACKAGES	3
Figure 1 – Recommended Reflow Profile - All Packages	3
THERMAL RESISTANCE	4
Table 1 – Thermal Resistance 5x6 mm 8-Land Large Flag DFN	4
Table 2 – Thermal Resistance 5x6 mm 8-Land Small Flag DFN.....	4
PACKAGE OUTLINE DRAWINGS	5
Figure 2 – Package Outline 5x6 mm 8-Land DFN Large Flag.....	5
Figure 3 – Package Outline 5x6 mm 8-Land DFN Small Flag.....	6
REVISION HISTORY	7
CONTACT US	8

COMPLIANCE WITH ENVIRONMENTAL REGULATIONS AND DIRECTIVES

Environment	Statement Summary	Download Full Statement
RoHS	Everspin Technologies, Inc. MRAM products comply with RoHS Directive 2002/95/EC.	Full RoHS Compliance Statement
REACH	Under the definition of the REACH regulations EC1907/2006, Everspin Technologies is a producer of “articles”. REACH requires article suppliers to inform recipients if an article contains a Substance of Very High Concern (SVHC) in excess of 0.1% by weight. Everspin products do not contain any of these SVHC in excess of 0.1% by weight.	Full REACH Statement
Red Phosphorus	Everspin Technologies, Inc. MRAM products do not contain Red Phosphorus CAS# 7723-14-0 as an intentional additive.	Full Red Phosphorus Statement
Environmental and Humanitarian Compliance	Materials from Conflict Regions Statement	Full Statement
	EICCeSI Environmental and Humanitarian Compliance Form	Form

MULTIPLE REFLOW CYCLES AND MOISTURE RESISTANCE

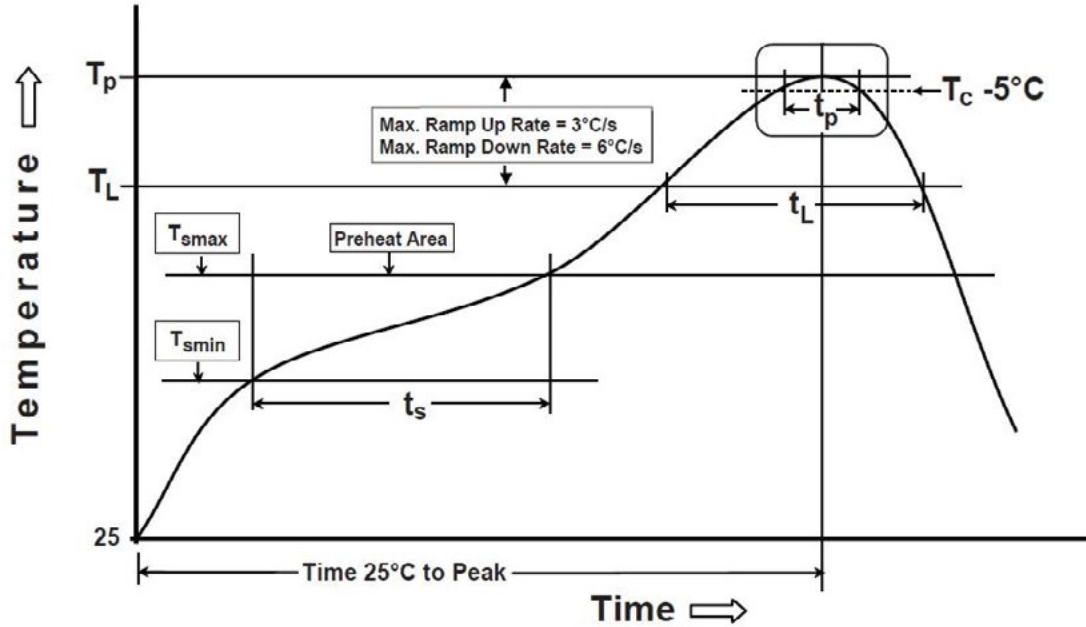
All Everspin packages are qualified by the procedure defined in IPC/JEDEC joint specification IPC/JEDEC J-STD-020D.1. They are guaranteed to withstand up to three reflow cycles without permanent damage, provided the conditions for the rated moisture resistance level for the part are observed prior to reflow.

Everspin parts are generally rated for MSL Level 3. Exceptions may exist and are noted in their respective data sheet. Please check the latest individual product data sheet to confirm the rated MSL for the product.

RECOMMENDED REFLOW TEMPERATURES AND TIMING - ALL PACKAGES

Everspin products can be assembled using a standard reflow profile. The profile below is based on IPC/ JEDEC J-STD-020D.1.

Figure 1 – Recommended Reflow Profile - All Packages



Profile Step	Parameter	Symbol	Time/Temp	Unit
Preheat / Soak	Temperature minimum	T_{SMIN}	150	°C
	Temperature maximum	T_{SMAX}	200	°C
	Soak Time	t_s	60 - 120	Seconds
Ramp Up	Rate from T_L to T_p	T_L to T_p	3° / Sec Max	° / Sec
	25°C to T_p		8 minutes max	Minutes
Reflow	Liquidous Temperature	T_L	217	°C
	Time Above T_L		60 - 150	Seconds
	Peak Package Body Temperature	T_p	260	°C
	Time T_c is within 5° of T_p		30	Seconds
Ramp Down	Rate from T_p to T_L	T_p to T_L	6° / Sec Max	° / Sec

THERMAL RESISTANCE

Table 1 – Thermal Resistance 5x6 mm 8-Land Large Flag DFN

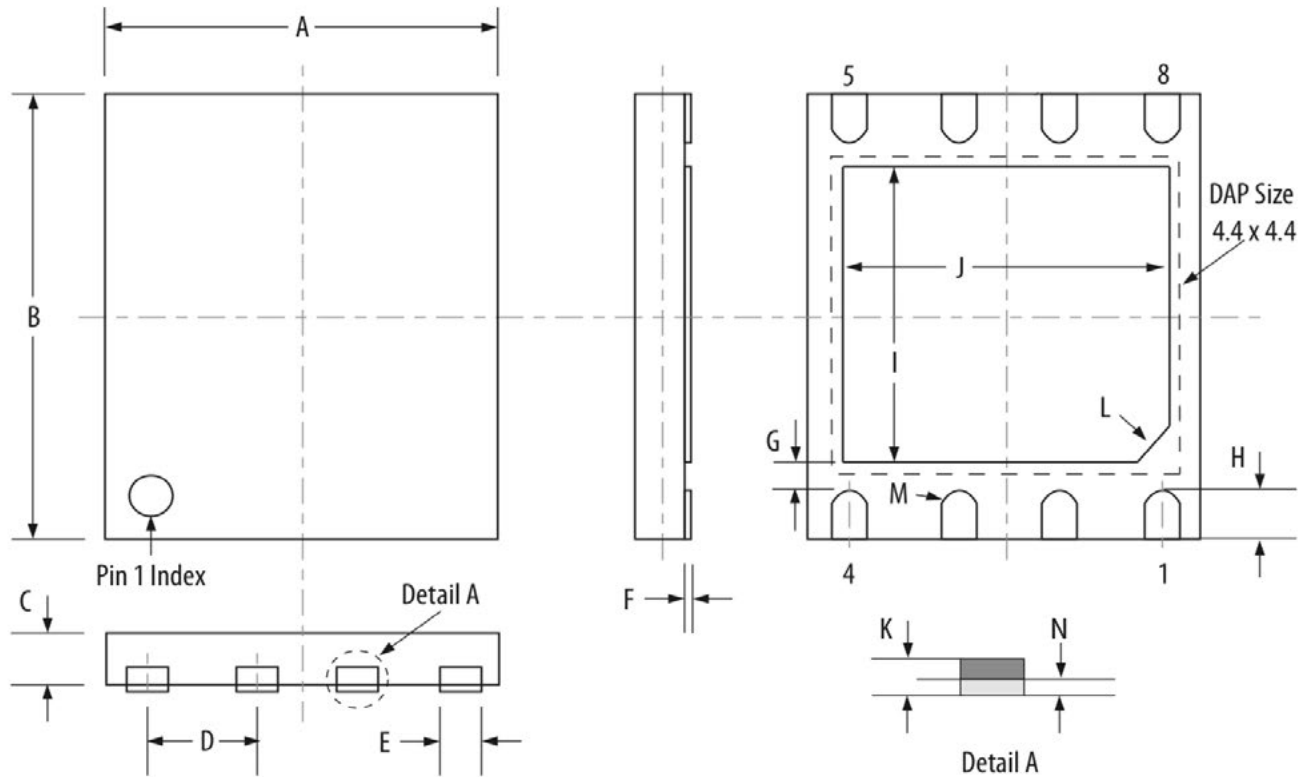
Velocity (m/s)	Ambient Temp	Power	T _J (°C)	Θ _{JA} (°C/W)
0	-40°C	72mW	-37.34	31.9
	85°C		87.66	

Table 2 – Thermal Resistance 5x6 mm 8-Land Small Flag DFN

Velocity (m/s)	Ambient Temp	Power (mW)	T _J (°C)	Θ _{JA} (°C/W)	Θ _{JB} (°C/W) ¹	Θ _{JC} (°C/W)	Ψ _{JB} (°C/W)	Ψ _{JT} (°C/W) ²
0	25°C	168	34.7	57.71	32.5	1.8	30.2	0.38
1			33.1	47.97			29.0	0.88
2			32.7	45.87			28.5	1.10
3			32.5	44.59			28.1	1.26

Notes:

1. Θ_{JB} value assumes 4-layer PCB.
2. Ψ is a thermal characterization factor indicating the temperature rise between package top and the device junction. See JESD51-2.

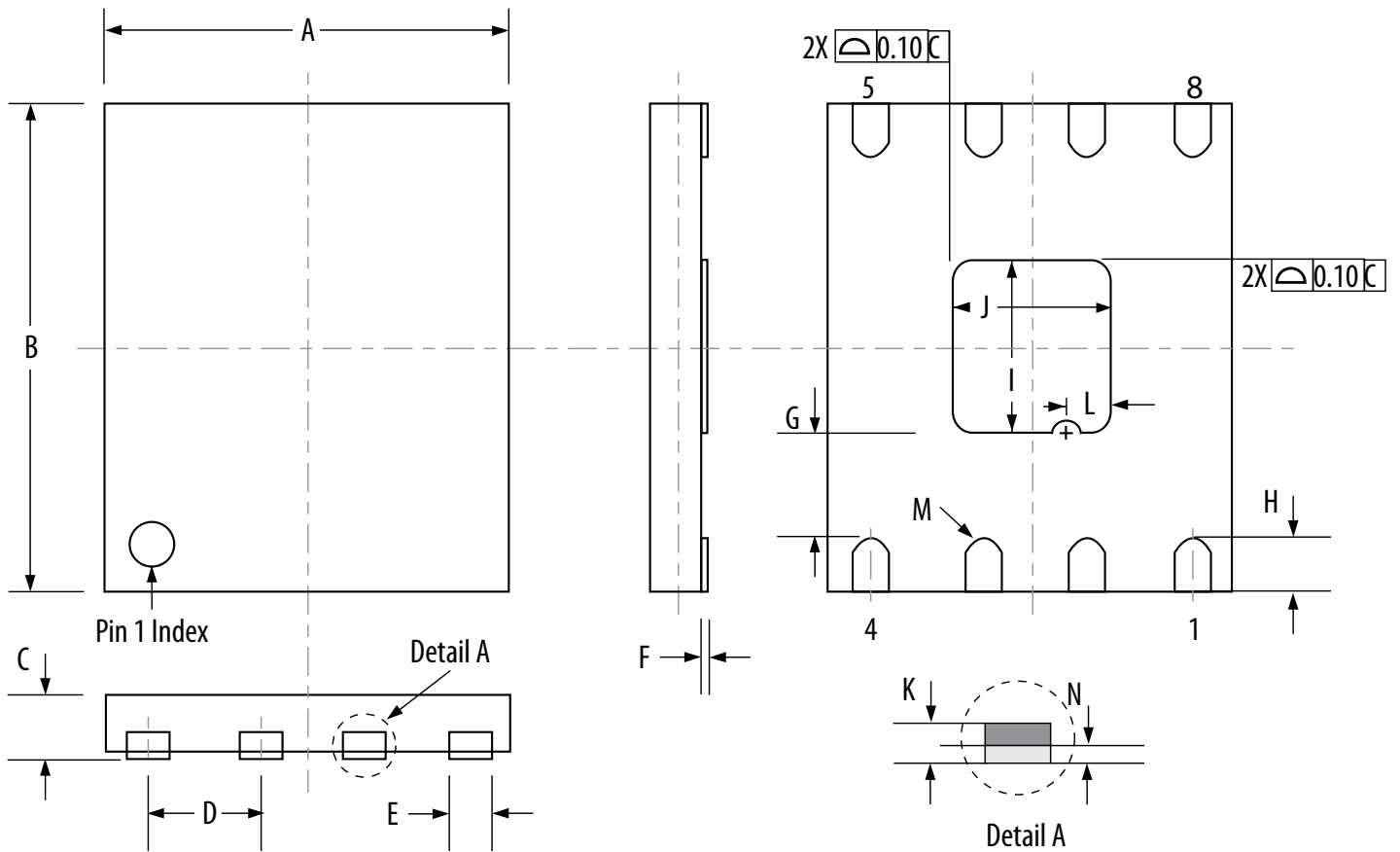
PACKAGE OUTLINE DRAWINGS
Figure 2 – Package Outline 5x6 mm 8-Land DFN Large Flag


Dimension	A	B	C	D	E	F	G	H	I	J	K	L	M	N
Max.	5.10	6.10	1.00	1.27	0.45	0.05	0.35	0.70	4.20	4.20	0.261	C0.35	R0.20	0.05
Min.	4.90	5.90	0.90	BSC	0.35	0.00	Ref.	0.50	4.00	4.00	0.195			0.00

Notes:

1. All dimensions are in mm. Angles in degrees.
2. Coplanarity applies to the exposed pad as well as the terminals. Coplanarity shall be within 0.08 mm.
3. Warpage shall not exceed 0.10 mm.
4. Refer to JEDEC MO-229
5. Lead plating 400 - 800 μm Sn.

Figure 3 – Package Outline 5x6 mm 8-Land DFN Small Flag



Dimension	A	B	C	D	E	F	G	H	I	J	K	L	M	N
Max	5.10	6.10	0.90	1.27	0.45	0.05	1.60	0.70	2.10	2.10	.210	C0.45	R0.20	0.05
Min	4.90	5.90	0.80	BSC	0.35	0.00	1.20	0.50	1.90	1.90	.196			0.00

NOTE:

1. All dimensions are in mm. Angles in degrees.
2. Coplanarity applies to the exposed pad as well as the terminals. Coplanarity shall be within 0.08 mm.
3. Warpage shall not exceed 0.10 mm.
4. Refer to JEDEC MO-229
5. Lead plating 300 - 600 μm Sn.

REVISION HISTORY

Revision	Date	Description of Change
1.0	October 24,2013	Initial Release
1.1	October 21, 2014	Added Reflow Cycle and Moisture Resistance section.
1.2	April 12, 2018	Updated the Contact Us table

CONTACT US

Home Page:

www.everspin.com

World Wide Information Request

WW Headquarters - Chandler, AZ

5670 W. Chandler Blvd., Suite 100

Chandler, Arizona 85224

Tel: +1-877-480-MRAM (6726)

Local Tel: +1-480-347-1111

Fax: +1-480-347-1175

support@everspin.com

Europe, Middle East and Africa

Everspin Europe Support

support.europe@everspin.com

Japan

Everspin Japan Support

support.japan@everspin.com

Asia Pacific

Everspin Asia Support

support.asia@everspin.com

EST02619_Everspin DFN MRAM Package Guide_Revision1.2041218

Everspin Technologies, Inc.

Information in this document is provided solely to enable system and software implementers to use Everspin Technologies products. There are no express or implied licenses granted hereunder to design or fabricate any integrated circuit or circuits based on the information in this document. Everspin Technologies reserves the right to make changes without further notice to any products herein. Everspin makes no warranty, representation or guarantee regarding the suitability of its products for any particular purpose, nor does Everspin Technologies assume any liability arising out of the application or use of any product or circuit, and specifically disclaims any and all liability, including without limitation consequential or incidental damages. "Typical" parameters, which may be provided in Everspin Technologies data sheets and/or specifications can and do vary in different applications and actual performance may vary over time. All operating parameters including "Typicals" must be validated for each customer application by customer's technical experts. Everspin Technologies does not convey any license under its patent rights nor the rights of others. Everspin Technologies products are not designed, intended, or authorized for use as components in systems intended for surgical implant into the body, or other applications intended to support or sustain life, or for any other application in which the failure of the Everspin Technologies product could create a situation where personal injury or death may occur. Should Buyer purchase or use Everspin Technologies products for any such unintended or unauthorized application, Buyer shall indemnify and hold Everspin Technologies and its officers, employees, subsidiaries, affiliates, and distributors harmless against all claims, costs, damages, and expenses, and reasonable attorney fees arising out of, directly or indirectly, any claim of personal injury or death associated with such unintended or unauthorized use, even if such claim alleges that Everspin Technologies was negligent regarding the design or manufacture of the part. Everspin™ and the Everspin logo are trademarks of Everspin Technologies, Inc. All other product or service names are the property of their respective owners.

Copyright © 2018 Everspin Technologies, Inc.

